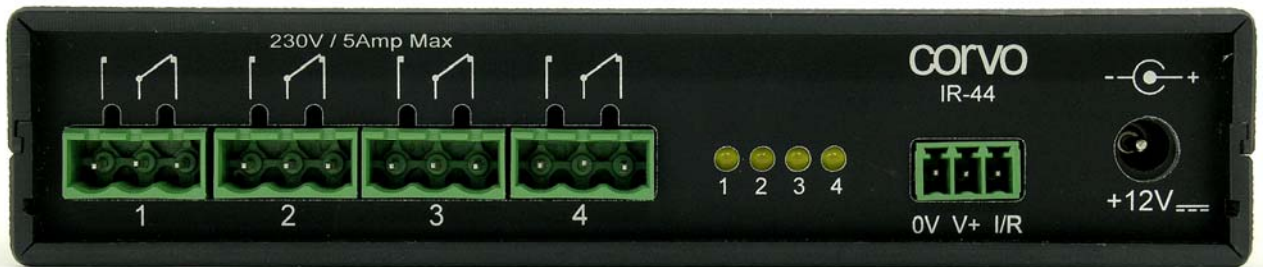


# IR-44

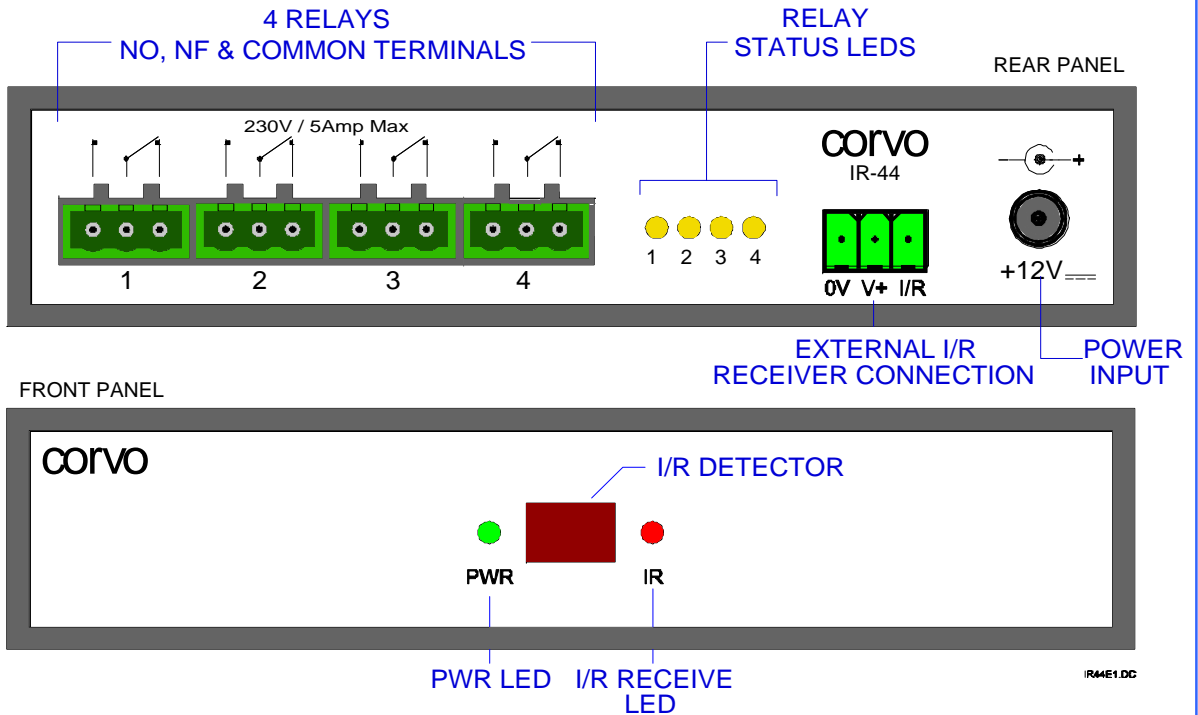
## 4-Channel I/R Controlled Relay Module



- I/R Remote Control of **4 independent relays**
- Mains-capable **230V/5Amp relays**
- **NO and NC contacts** available for all channels on convenient 3-point removable terminal strip
- User setting of either **momentary** or **latched** relay for each channel individually
- **On-board I/R receiver** and connector for optional **wired remote I/R receiver**
- **Status** of each relay displayed by **LED array** on the rear panel
- **Four** user-settable **I/R system addresses**

# IR-44

## 4-CHANNEL I/R CONTROLLED RELAY MODULE



### Technical Specifications

Number of Relay Channels :	4
Relay Ratings :	230V/50-60Hz, 5 Amps maximum
Power Supply Requirements :	12Vdc / 600mA
Remote Control Codes :	RC5, System ADR 24, 25, 26 or 27
Mass :	262 Grs (9.2 Oz)
Operating Temperature Range :	0 to 40°C (32 to 104°F)
Storage Temperature Range :	-20 to 60°C (-4 to 140°F)

We reserve the right to modify technical specifications without prior notice

### Product References

IR-44	4-Channel I/R Controlled Relay Module
TXIR-04	4-Channel I/R Remote Controller
PS12-600	12V/600mA Power Supply